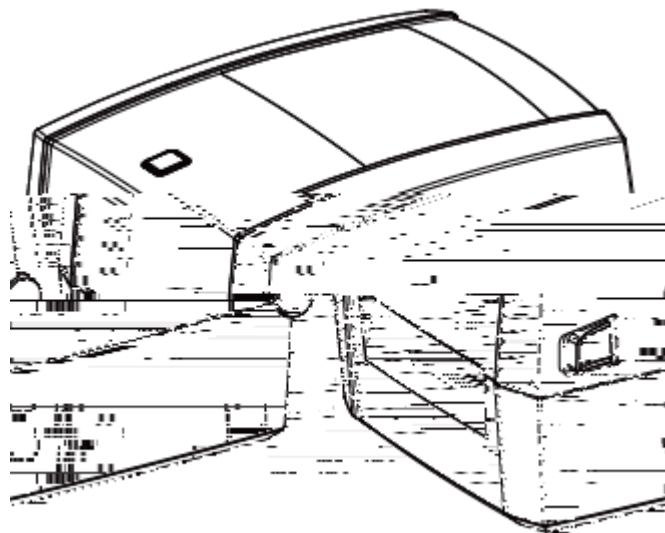

DL-888D/

DL-888T



	1
	2
1	5
1.1	5
1.2	6
1.3	7
2	8
3	10
3.1	10
3.1.1	10
3.1.2	13
3.1.3	15
3.1.4	(DL-888T)	16
3.2	18
3.3	19
3.4	19
3.5	20
3.6	21
3.6.1	/	21
3.6.2	21
3.6.3	21
3.6.4	22
4	23
5	24
5.1	24
5.2	24
1:	25

※

Windows

1.



2.



1

2

3

4

5



1

2

3

4

5

6

-
-
-
-
-

-
-
-
-

3.



4. WEEE ()



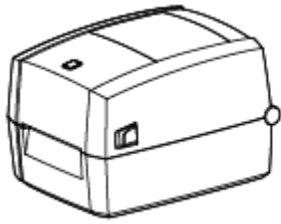
1

1.1

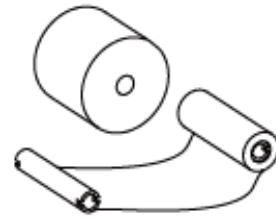


1

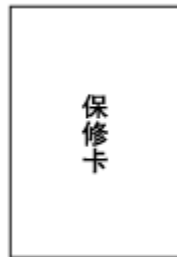
2



USB

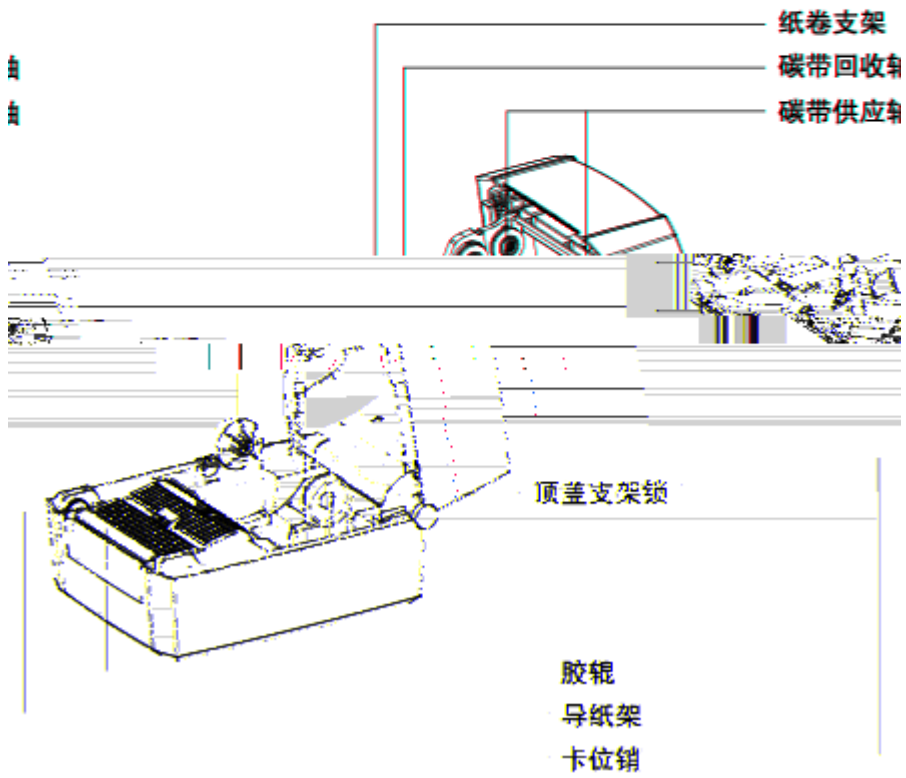
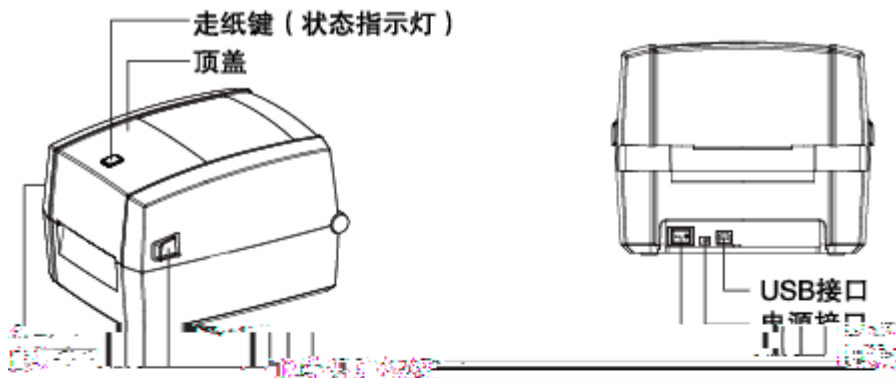


+
(DL-888T)

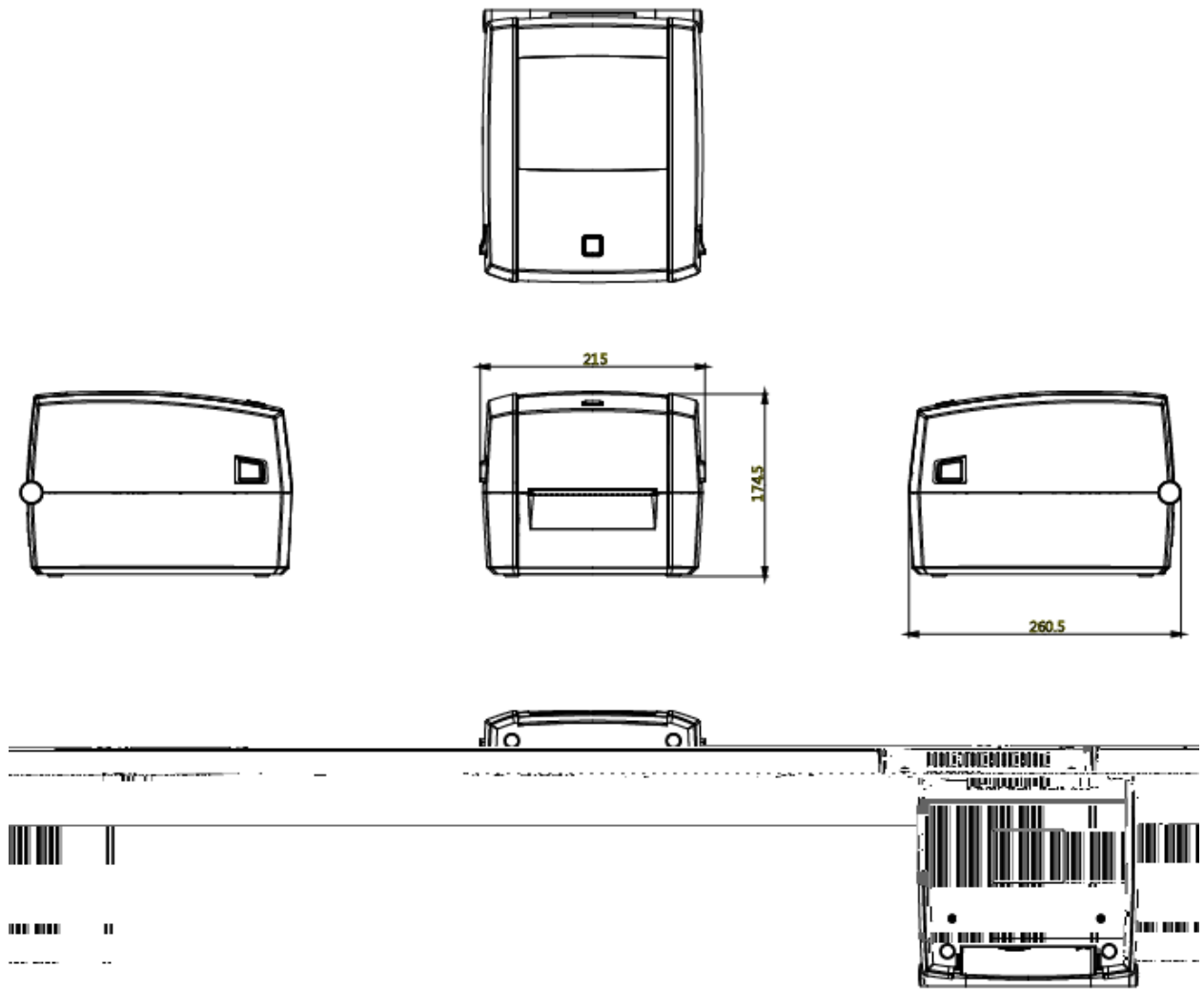


1-1

1.2



1.3



2

		/
		203 / (8 /)
		102 /
		108
		15 - 300
		32 RISC CPU
	RAM	2MB
		2MB
		, , , ,
		,
		0.79 (20) 4.65 (118)
		0.003 (80) 0.007 (180)
		5 (127)
		0.5 (25.4),1 (25.4),1.5 (38)
		, ,
		1.33 (33.8) 4.33 (110)
		328 (100)
		0.5 (25.4)
		TSPL
		Bartender UltraLite
		Windows 2000,XP,Vista7,8,10
		6, 8, 12, 16, 32, OCR A & B. 90 , 180 , 270 10
		CG Triumvirate
		DOS437,720,737,755,775,850,852,855,856,857,858,860,862,863,864,865,866, Windows1250,1251,1252,1253,1254,1255,1256,1257,1258 ISO8859-1,-2,-3,-4,-5,-6,-8,-9,-15 DBCS 932 (JIS), 936(GBK), 949 (Koran), 950(BIG5)
		Code 39, Code 93, Code 128UCC, Code 128 subset A, B, C, Codabar, Interleave 2 of 5, EAN-8, EAN-13, EAN-128, UPC-A, UPC-E, EAN and UPC 2 (5) digits add-on, MSI, PLESSEY, POSTNET, RSS-Stacked, GS1 DataBar, Code 11
		PDF417, Maxicode, DataMatrix, QR Code, Aztec
		USB
		LED
		: 100-240 , 50/60 , : 24 /2 , 5
		41 (5)-104 (40) 30%-85%,()
		-4 (-20)-122 (50) 10%-90%()
(* *)		260.5*174.5*215
		1.80 ()
		8

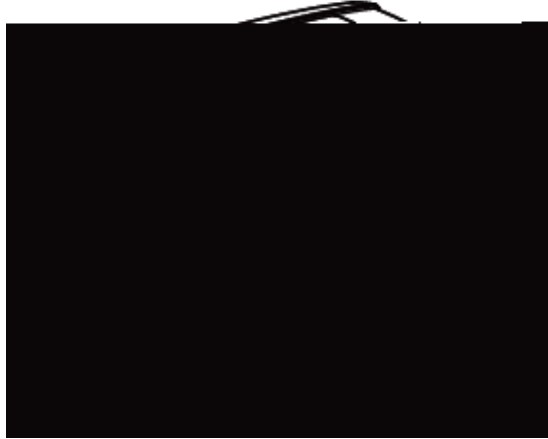
CCC,FCC,CE

3

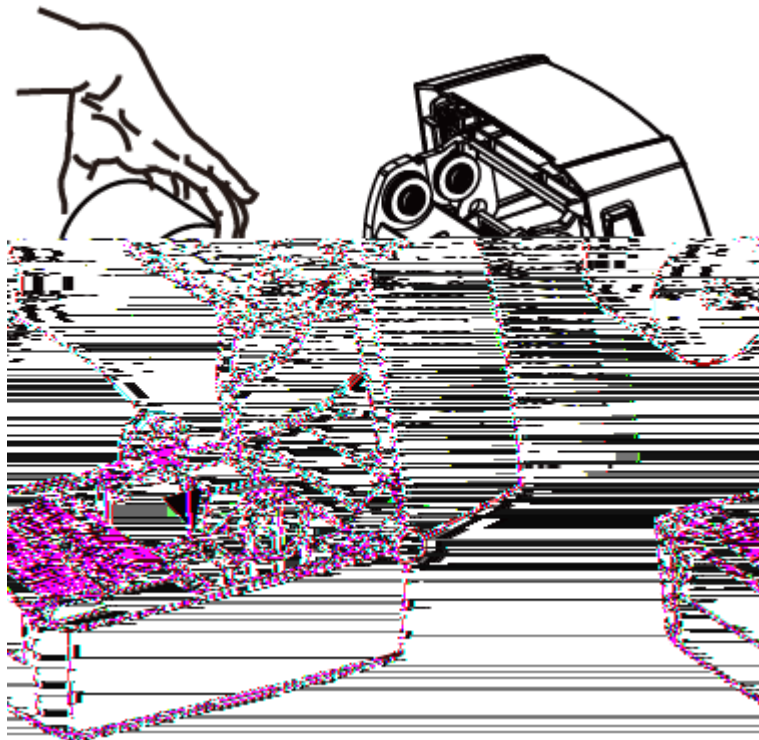
3.1

3.1.1

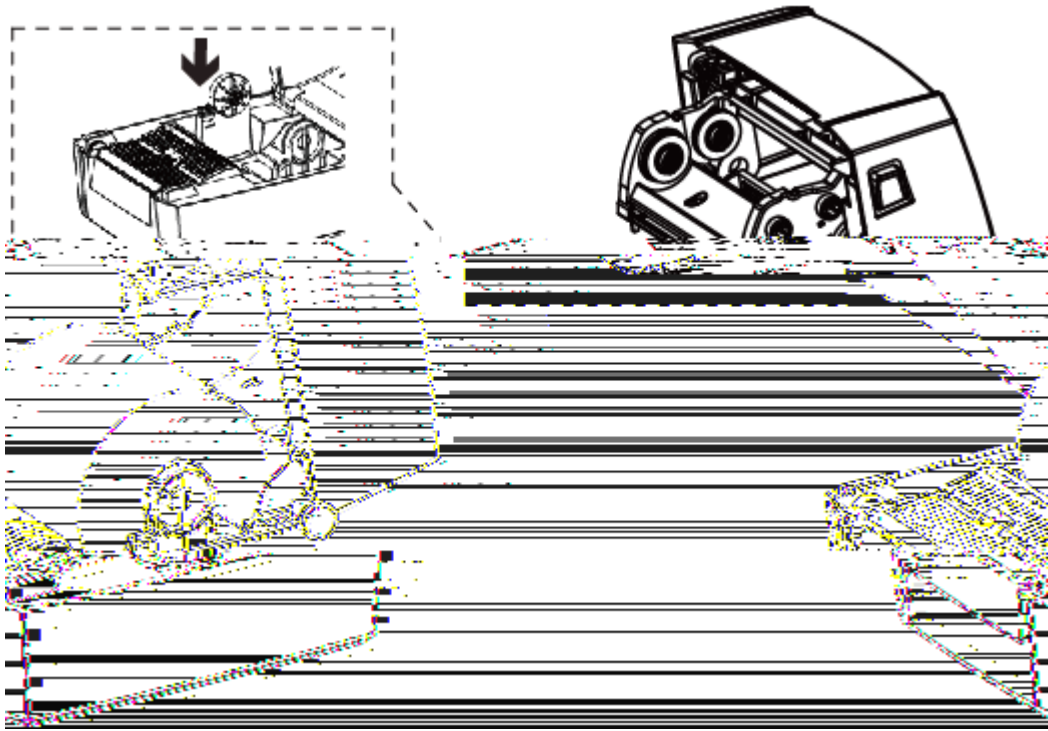
1.



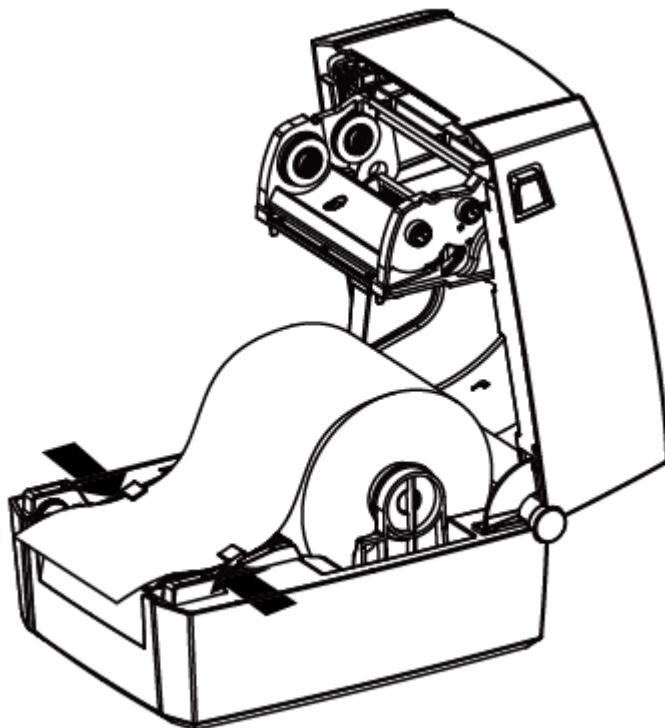
2.



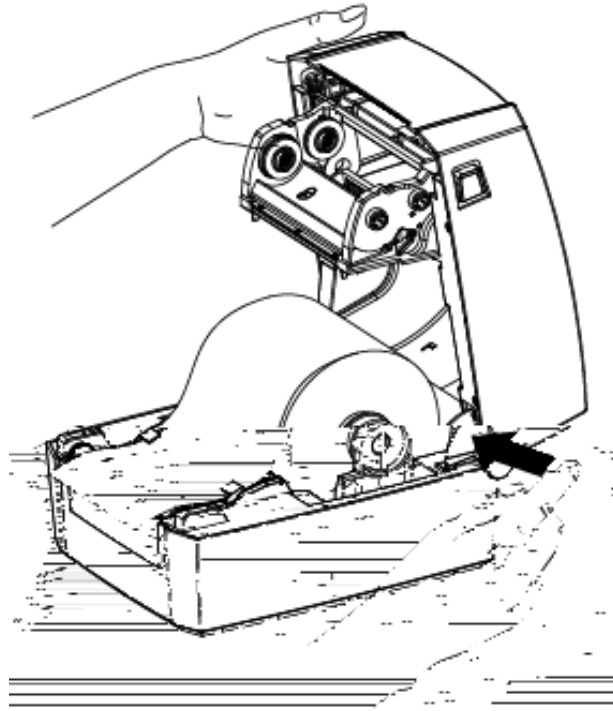
3.



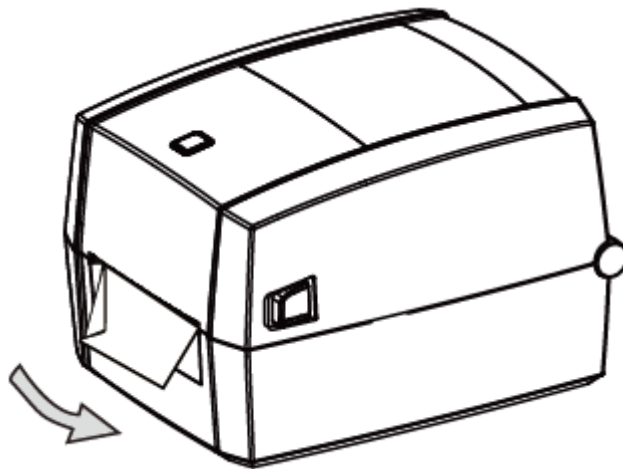
4.



5.

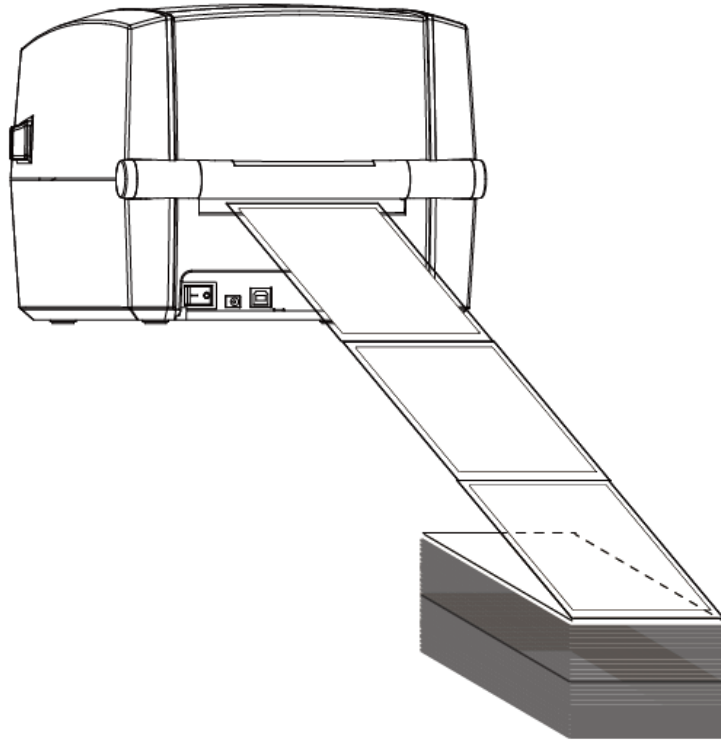


6.

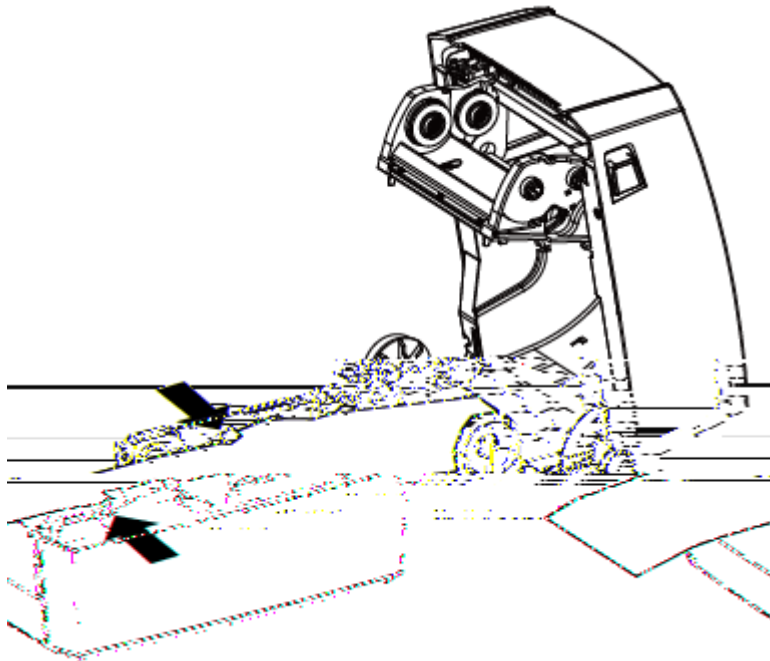


3.1.2

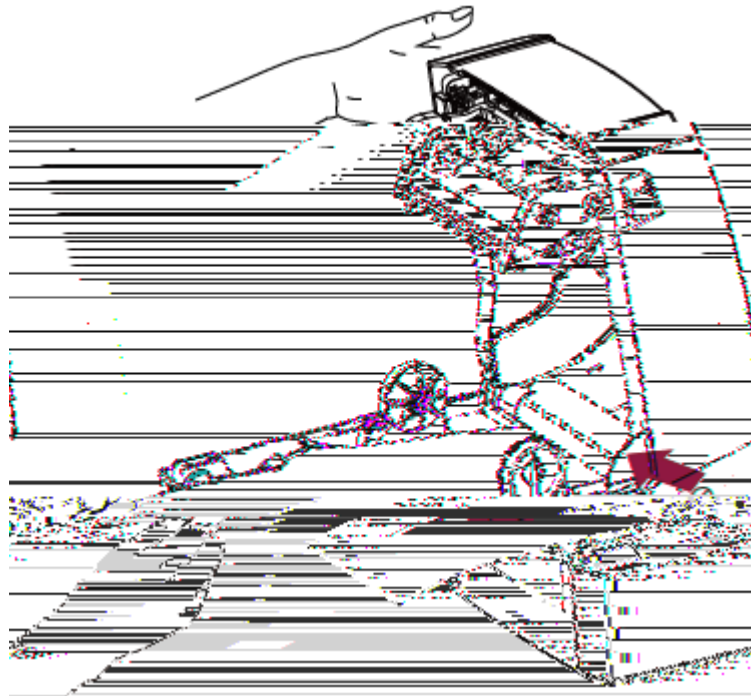
1.



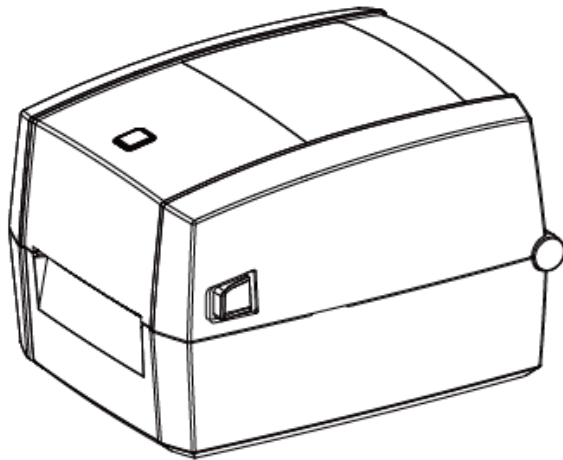
2.



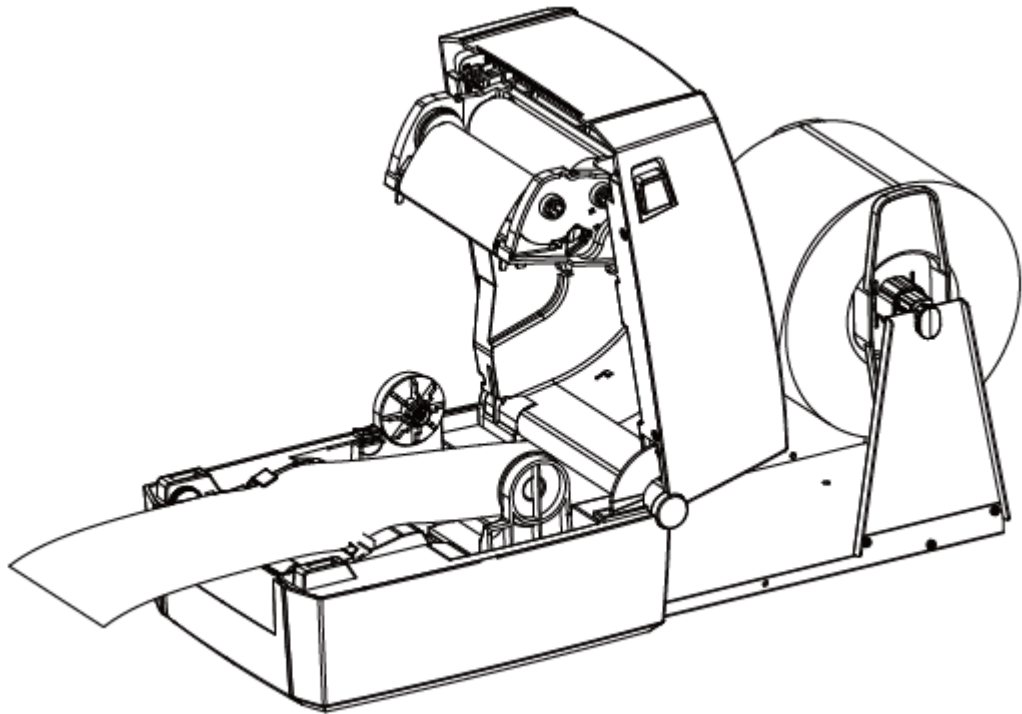
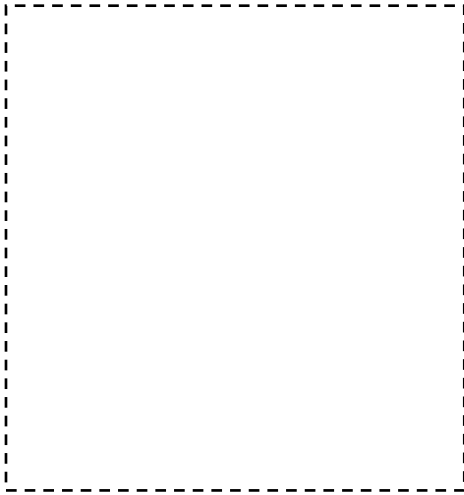
3.



4.

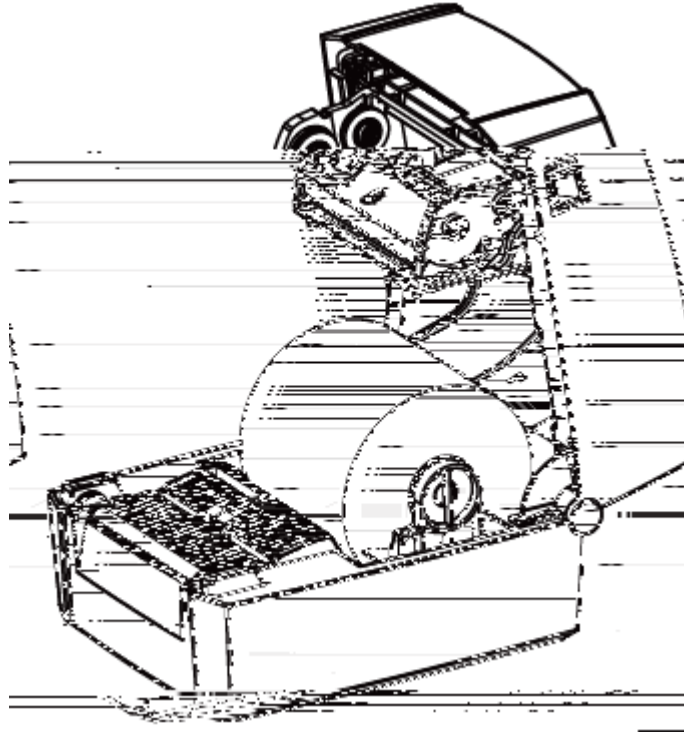


3.1.3

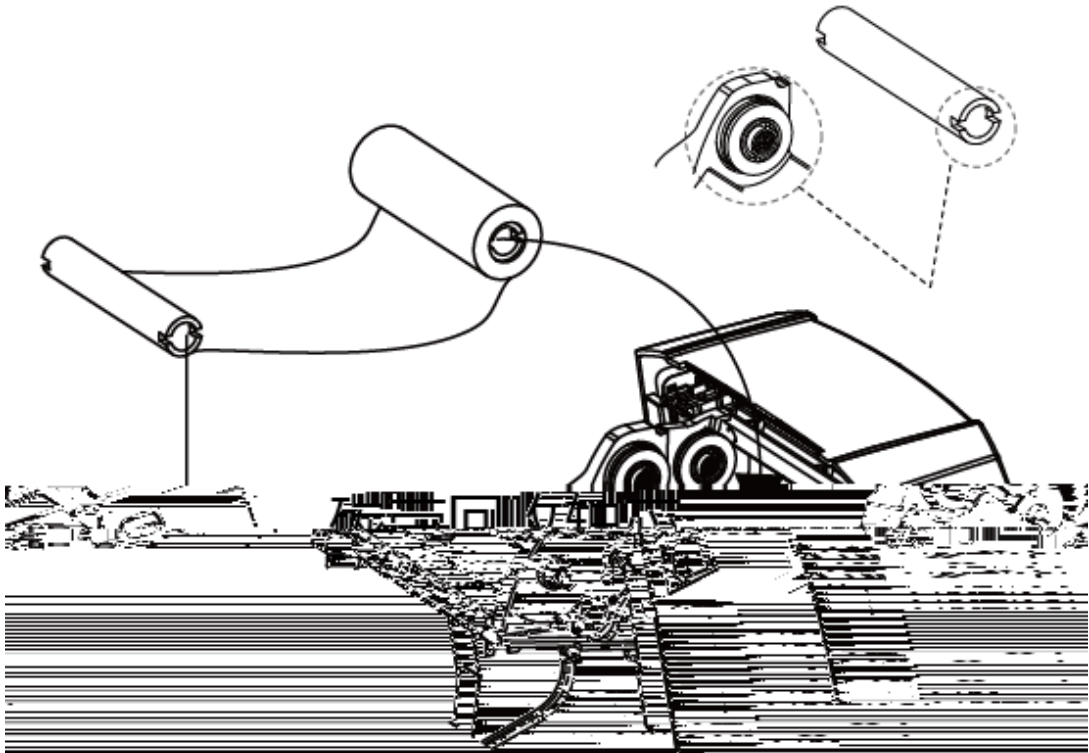


3.1.4 (DL-888T)

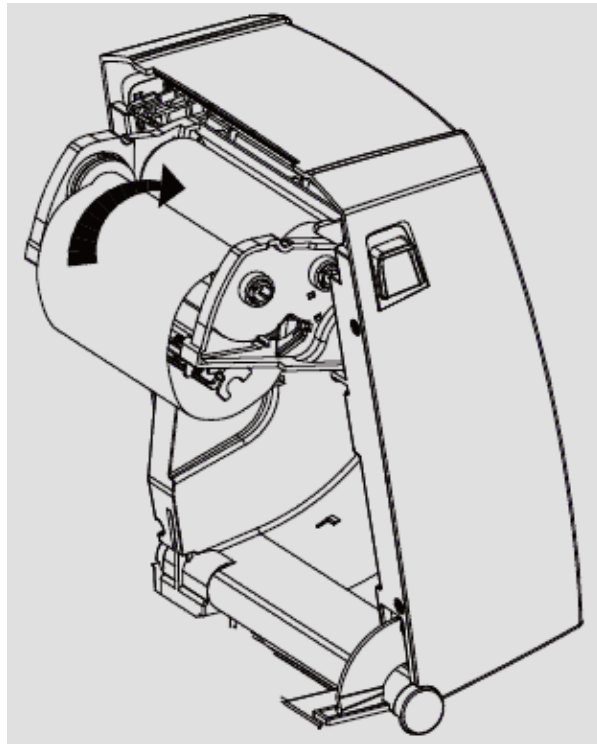
1.



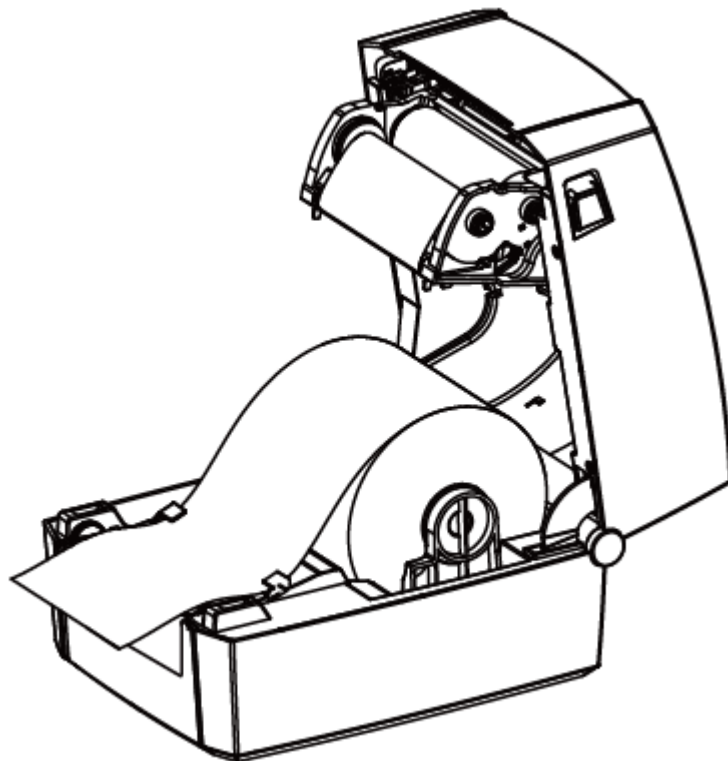
2.



3.



4.



3.2

1. (O)
- 2.
- 3.
- 4.



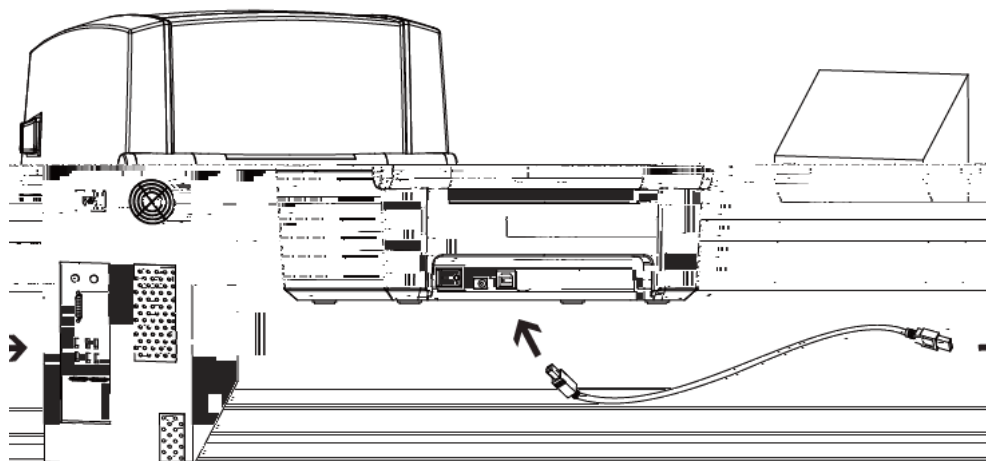
-
-
-

:

80mm

3.3

--USB B-Type

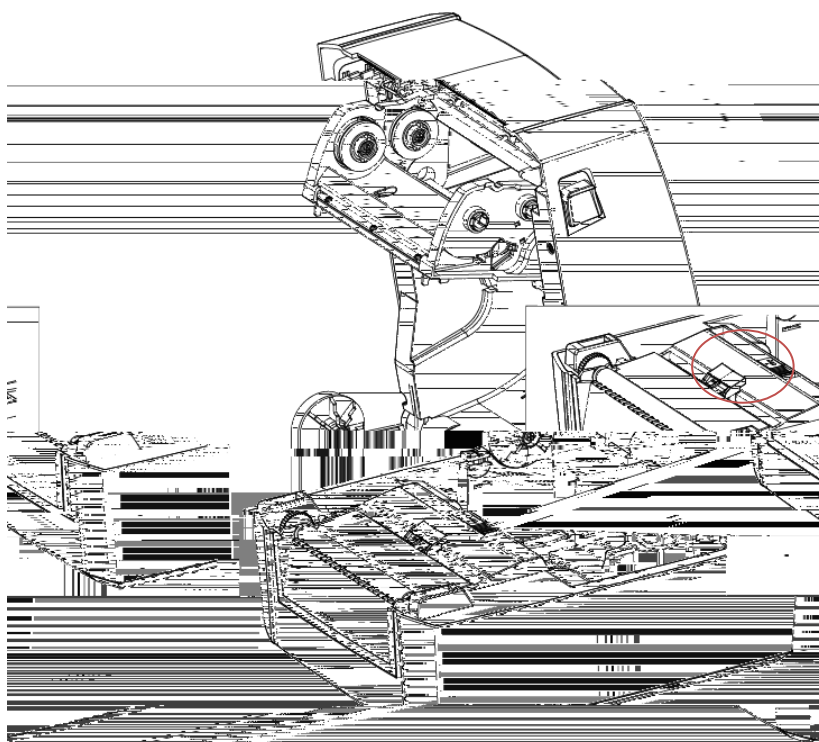


1 (O)

2)

-- USB USB B-Type

3.4

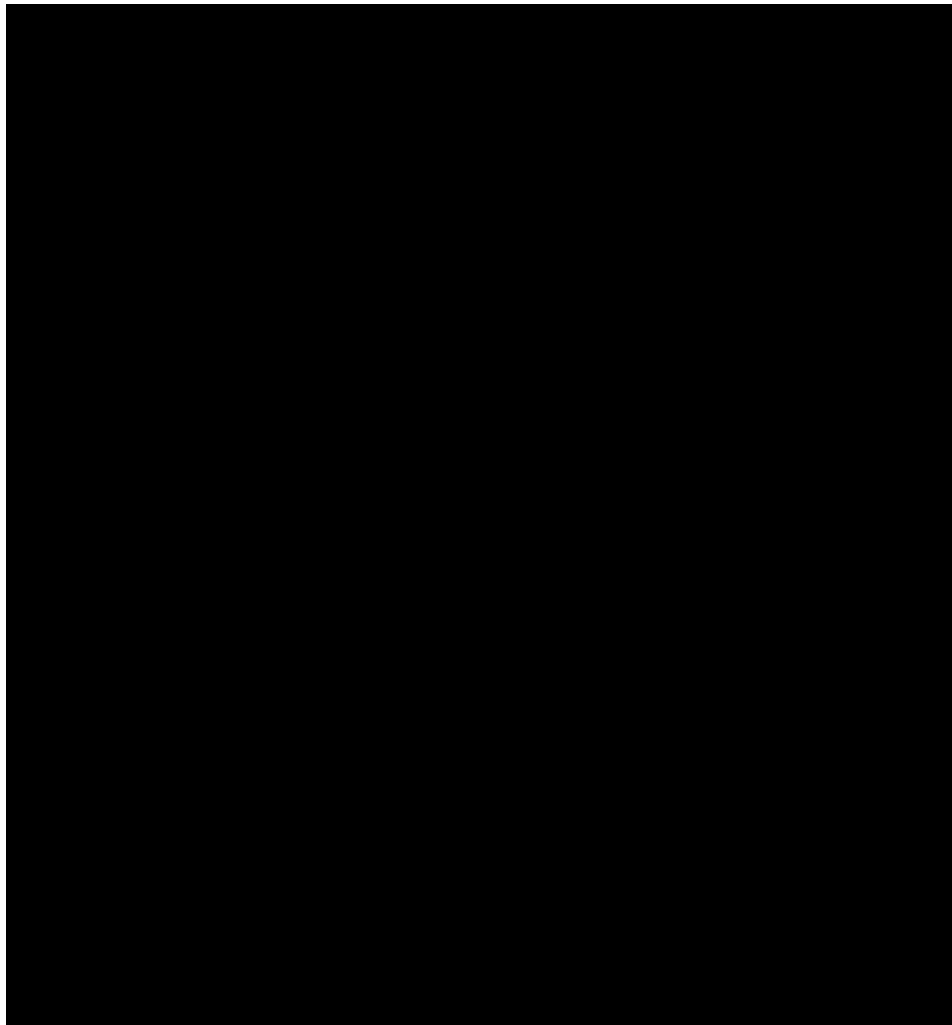


3.5



- 1.

- 2.



3.6

3.6.1 /

O 1

3.6.2

3.6.3

1)

2)

3)

1) Windows

Windows

2) Windows

3) Windows

3.6.4



➤

➤

➤

➤

➤

➤

1

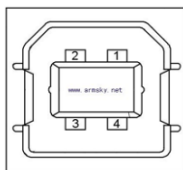
2

3

;



4



1	VBUS
2	D-
3	D+
4	GND

5

1

2

2~3

3

4

5.1

1

2

1 2

5.2

1

2

3

4

1 2

1:

1

	Pb	Hg	Cd	Cr VI	PBB	PBDE
	X	O	O	O	O	O
	X	O	O	O	O	O
	X	O	O	O	O	O