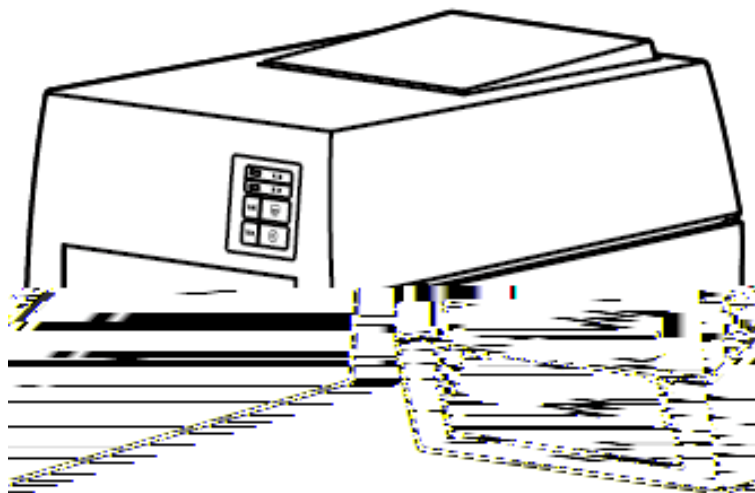


---

# DL-820T



---

	.....	1
	.....	2
1	.....	6
1.1	.....	6
1.2	.....	7
1.3	.....	9
2	.....	10
3		

---

---

侦

) a o

Windows

单



---

3

•

4

•

5

•



1

2

3

---

4

•

5

•

6

•

•

•

•

•

•

•

•

•



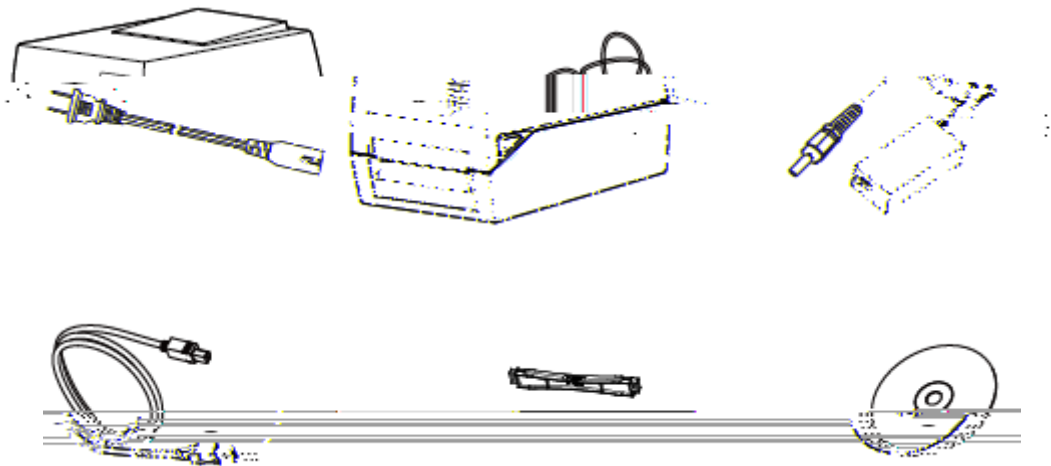
, !

)

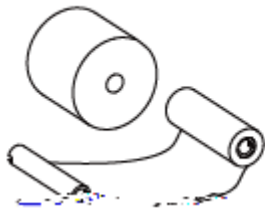
) )



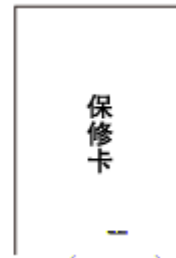
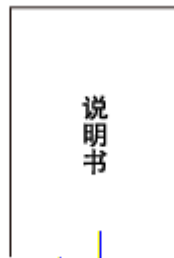
1-1



USB



+

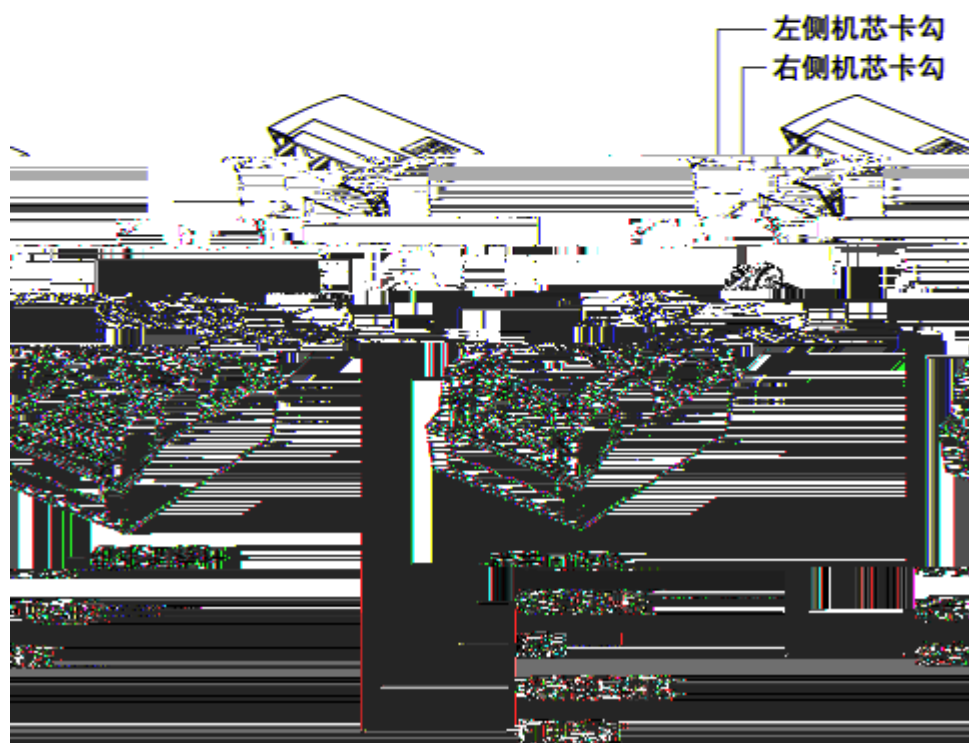
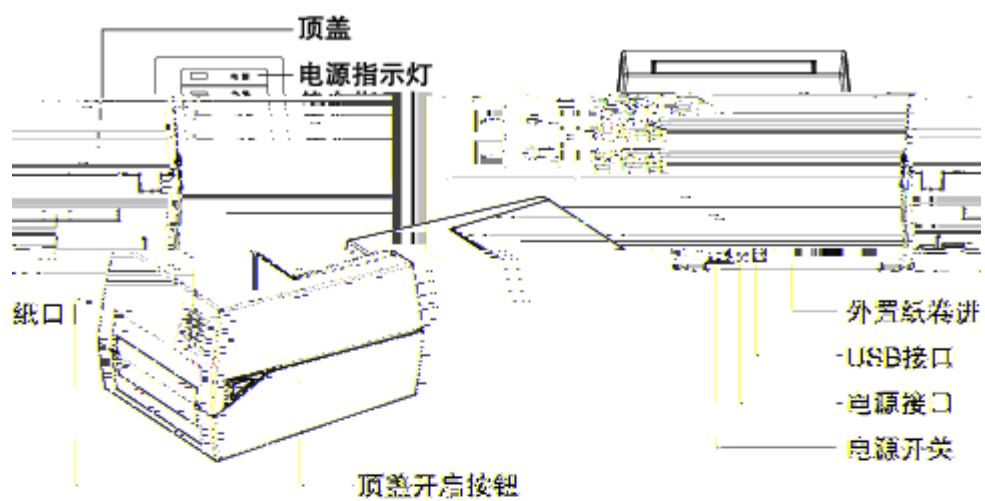


+

1-1



) 单



---

●

( / )

● 卅

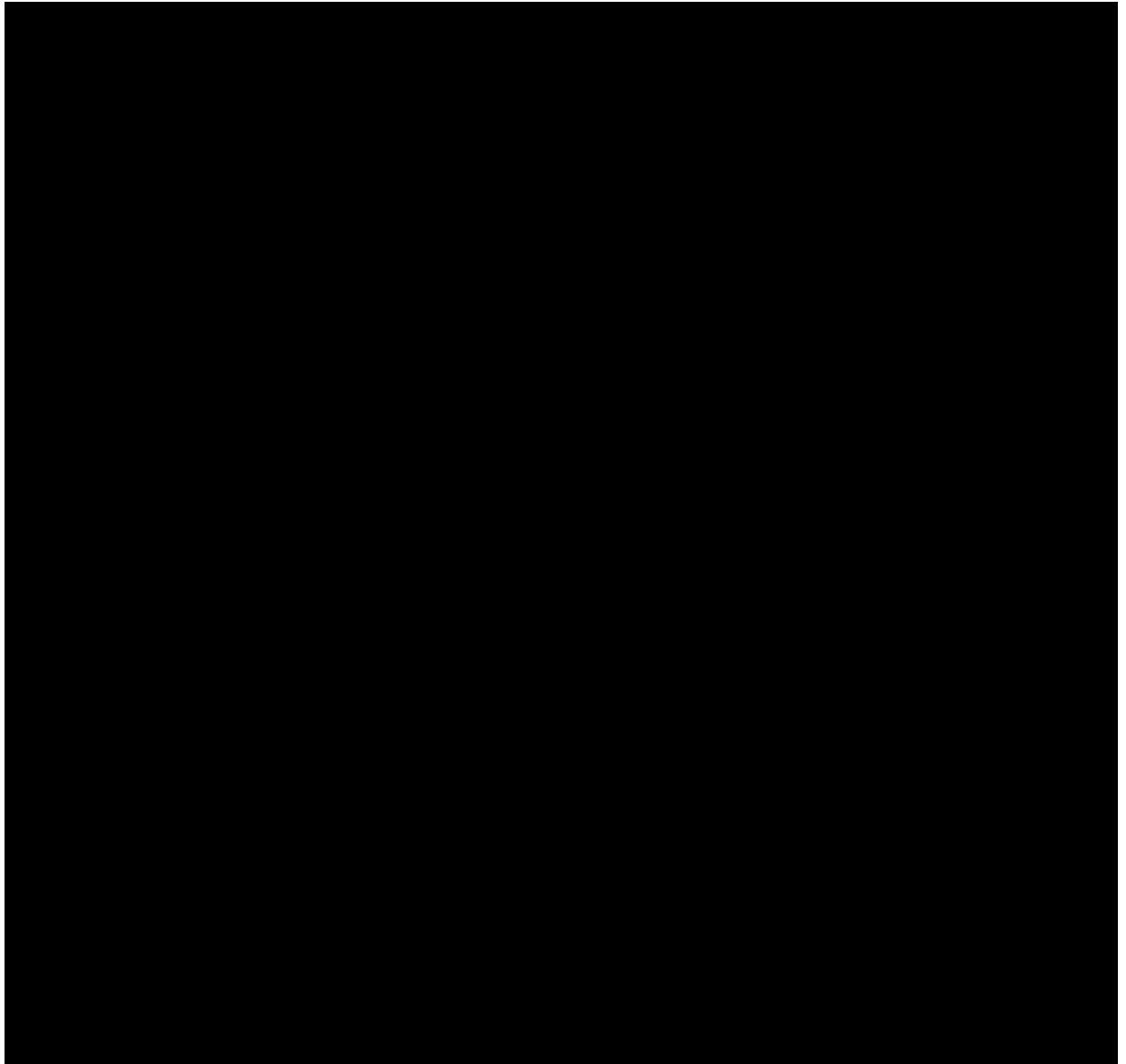
DL-820T

●

●

---

)

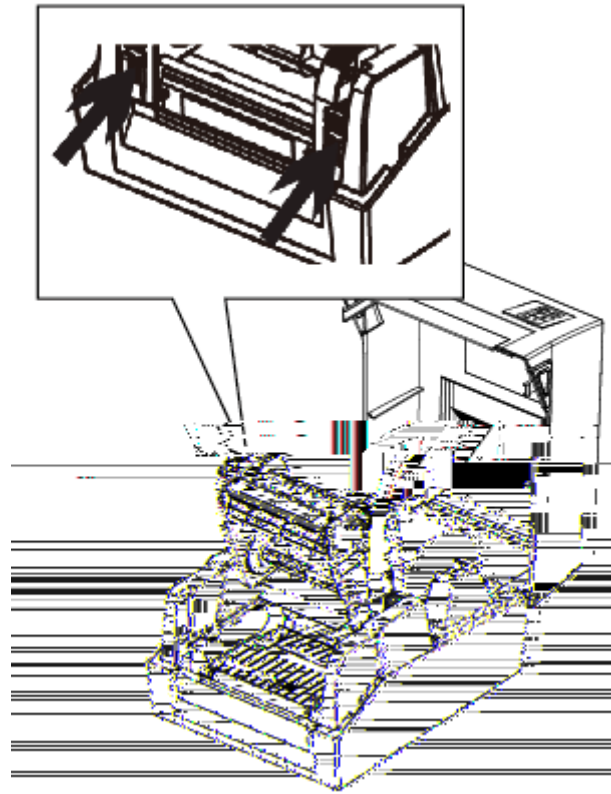


		/
		203 / (8 / )
		102 /
		108 .
		15 - 300
		32 RISC CPU
	RAM	2MB
		2MB
		, , , ,
		, ,Tag stock,
		0.79 (20 ) 4.65 (118 )
		0.003 (80 ) 0.007 (180 )
		5 (127 )
		1 (25.4 ),1.5 (38 ),3 (76.2 )
		, ,
		1.33 (33.8 ) 4.33 (110 )
		984 (300 )
		1 (25.4 )
		TSPL
		Bartender UltraLite
		Windows 2000,XP,Vista7,8,10
		8, 12, 16, 24, 32 , OCR A & B
		90 , 180 , 270 10
		CG Triumvirate
		DOS437,720,737,755,775,850,852,855,856,857,858,860,862,863,864,865,866, Windows 1250,1251,1252,1253,1254,1255,1256,1257,1258 ISO8859-1,-2,-3,-4,-5,-6,-8,-9,-15 DBCS 932 (JIS), 936(GBK), 949 (Koran), 950(BIG5)

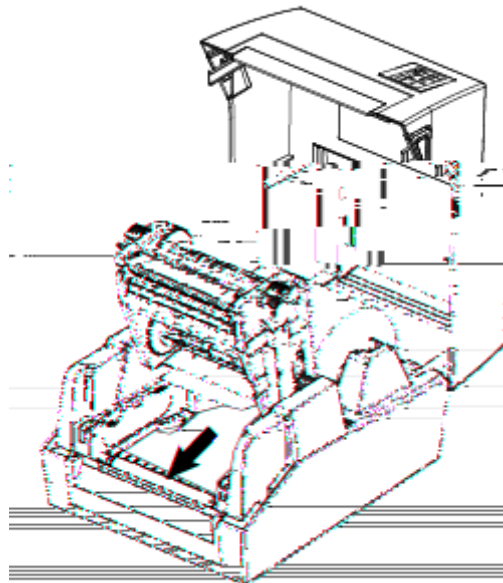
		Code 39, Code 93, Code 128UCC, Code 128 subset A, B, C, Codabar, Interleave 2 of 5, EAN-8, EAN-13, EAN-128, UPC-A, UPC-E, EAN and UPC 2 (5) digits add-on, MSI, PLESSEY, POSTNET, RSS-Stacked, GS1 DataBar, Code 11
		PDF417, Maxicode, DataMatrix, QR Code, Aztec
		USB
		LED : , :
		: 100-240 , 50/60 , : 24 /2 , 5
		41 (5 )-104 (40 ) 30%-85%,( )
		-4 (-20 )-122 (50 ) 10%-90%( )
( * * )		292*189.25*242.09mm
		2.60kg( )
		8
		FCC,CE

---

3.1.1.3



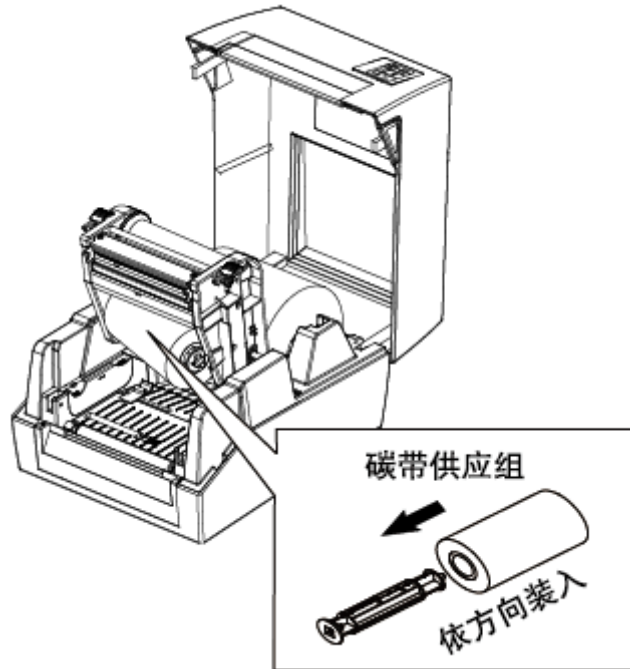
3.1.1.4



)

3.1.2.1

3.



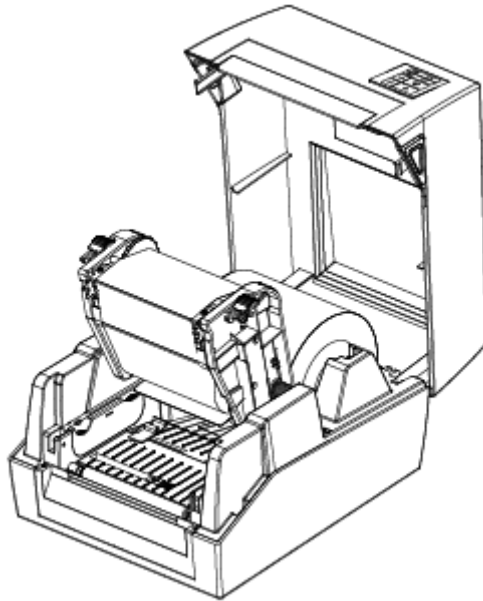
3.1.2.2



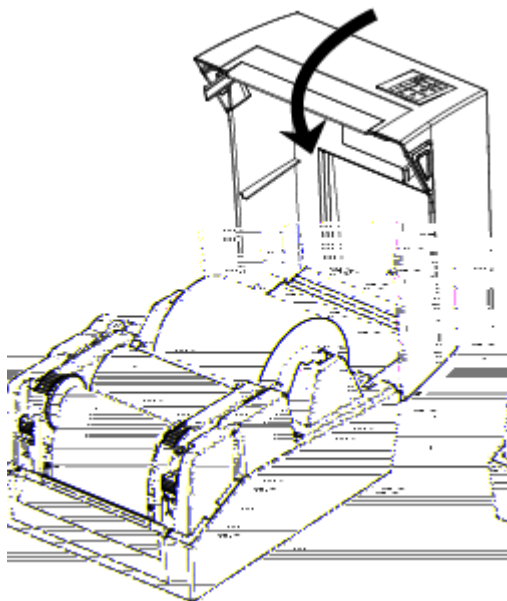
---

3.1.2.3

2~3

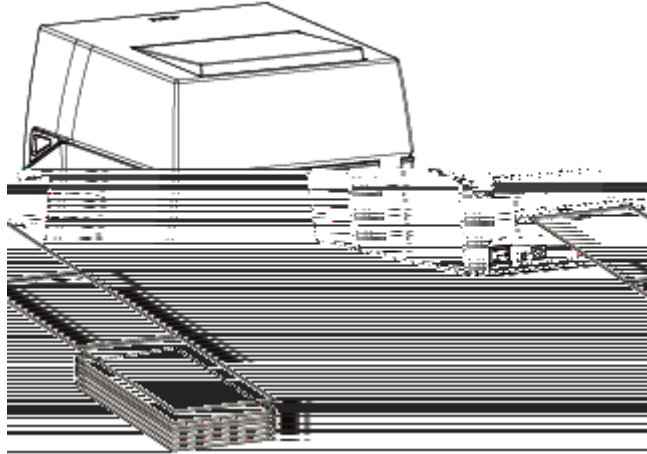


3.1.2.4

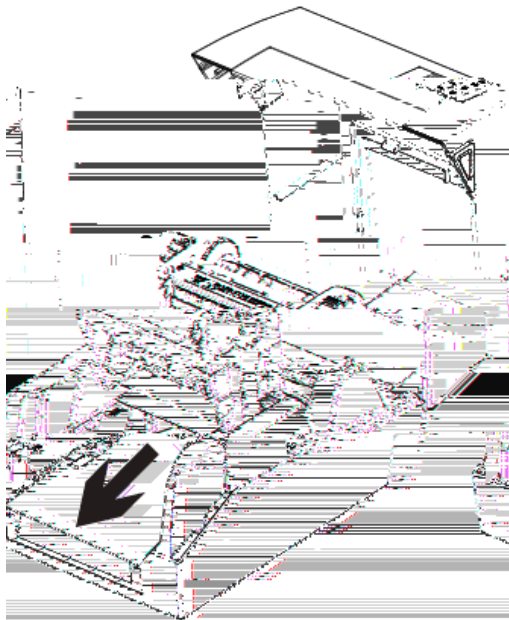


)

3.1.3.1



3.1.3.2

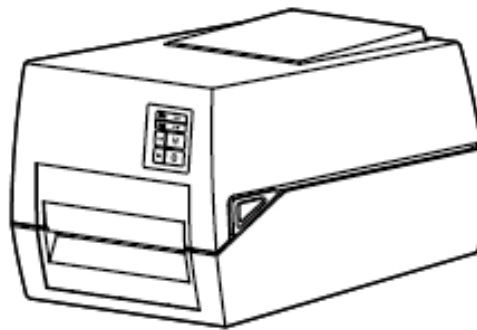


---

3.1.3.3



3.1.3.4

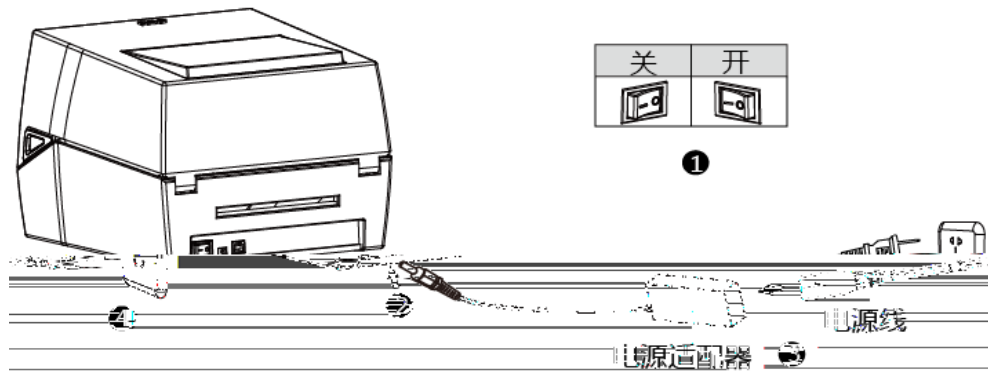


1. (O)

2.

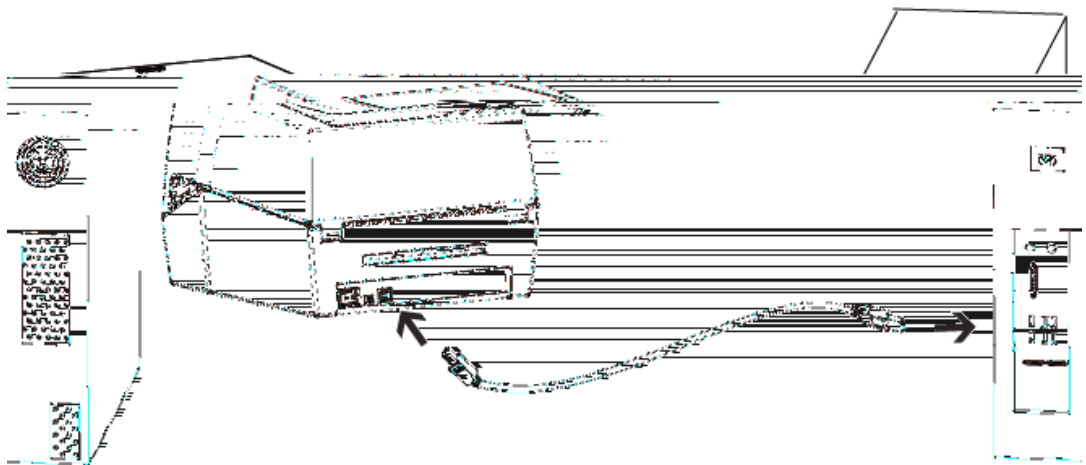
3.

4.



:

--USB B-Type



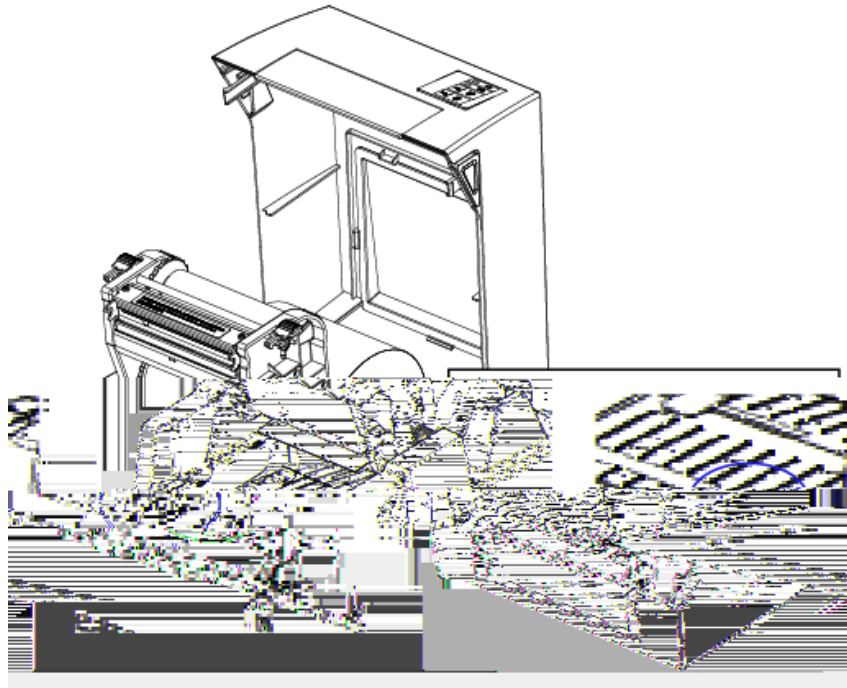
1) O

2

-- USB USB B-Type

---

## 3.4



### 3.5 位


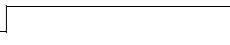



) o !

24V± 10%

!

3-1

!

1

Feed

2

Feed

MCU





---

3      Feed      Power      2      Feed ,

,!                  !

### 3.6

. )

" 0"

" 1"

.

1

Feed

2

Feed

MCU

3      Feed      Power      2      Feed

.



1

2

3 , 2

;



2

□

单

□ 单

单

---

. 单

. ) 单

1)

2)

3)

. a o 单

1) Windows

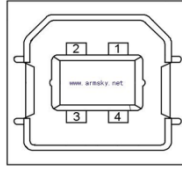
Windows

2) Windows " "

3) Windows " "

---

**■ M :**



4-1

1	VBUS
2	D-
3	D+
4	GND

---

# 单

1

2

2~3

3

4

) 单

1

2

1 2

---

1

2

3

4

1 2

